

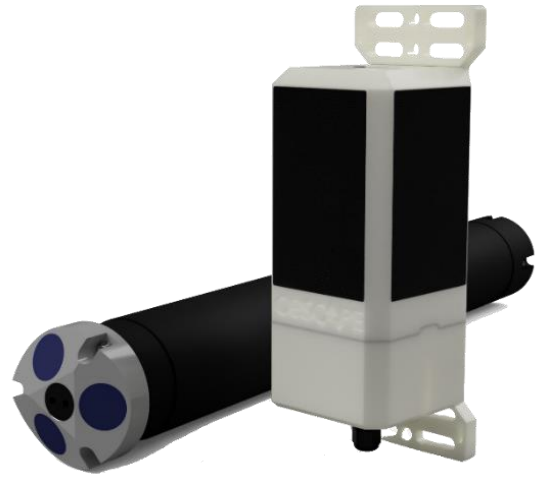


Aquadopp® Profiler

The Nortek Aquadopp® Profiler is a highly versatile ADCP which seamlessly integrates with the Obscape PTM to create the Obscape ADCP Station.

Available in a variety of choices to suit profiling ranges up to 90m. The Nortek Aquadopp® Profiler will plug and play with the Obscape PTM to report real time data of the water column to the free to use Obscape Data Portal. Suitable for mounting to fixed structures and offshore buoys.

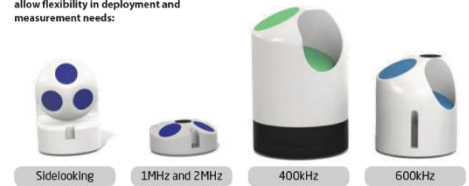
Designed for a wide range of applications and environments from coasts to rivers. The Nortek Aquadopp® Profiler is a small, lightweight, and cost-effective solution for shallow water (<100 m) deployments and works equally well in ocean, coastal, or river environments.



Features

- Profiling ranges from 0.5 to 90m.
- Small, light, easy to deploy.
- All plastic and titanium parts thus eliminating corrosion.

A variety of transducer head designs allow flexibility in deployment and measurement needs:



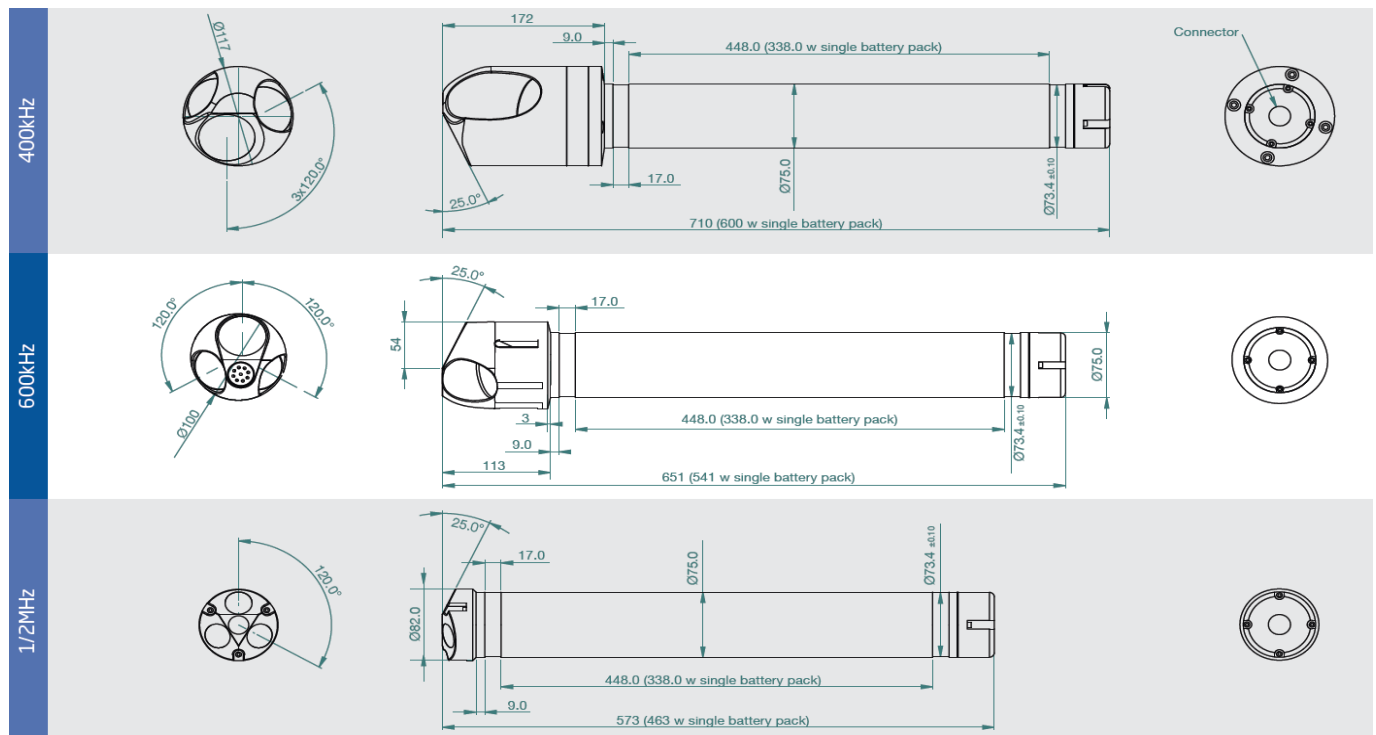
Specifications

| Acoustic frequency: | 400KHz | 600KHz | 1.0MHz | 2.0MHz |
|--------------------------|--------|--------|--------|--------|
| Maximum profiling range: | 60–90m | 30–40m | 12–25m | 4–10m |
| Cell size: | 1–8m | 1–4m | 0.3–4m | 0.1–2m |
| Beam width: | 3.7° | 3.0° | 3.4° | 1.7° |
| Number of beams: | 3 | 3 | 3 | 3 |

Applications

Ideal for <100 m deployments when connected to the Obscape PTM and mounted to piers, breakwaters, jetties, harbour walls, rigs, fixed structures and vessels; or a variety of harbour, navigation, Aton, offshore and metocean buoys.

Drawings



Kindly note: Purchase of ADCP station does not include Aquadopp® Profiler. For local service and back-up, Obscape advises you to purchase the Aquadopp® Profiler from your local Nortek offices of the area/country of deployment. Please contact your Obscape representative for more details and assistance.



Signature1000/500

Signature1000 and Signature500, two advanced five-beam current profiling systems, are made with the most demanding scientific user in mind. Built on the entirely new AD2CP platform, Signature1000 and Signature500 are designed for unprecedented performance in high energy turbulent environments. When integrated with the PTM, the Obscape ADCP Station is ideal and very accurate for buoy mounted applications.



Suitable for measuring short-term variations in the current velocity, because it has Faster Sampling; effectively providing up to four times the information to the Data Portal compared to sampling at 4Hz.

In addition, the use of new processing algorithms means that each velocity profile is more precise and has less instrument noise, making it easier to detect small velocity variations when reporting real time data to the free to use Obscape Data Portal. The capability to measure turbulent kinetic energy and even turbulent stress with five beams provides a significant advantage because all five second-order variables can be estimated directly in real time.

Features

- Profiling ranges from 30 to 70m.
- Faster Sampling, AD2CP Broadband Technology, Five Beams
- All plastic and titanium parts thus eliminating corrosion.

Specifications

| | Signature1000 | Signature500 |
|---------------------------------|---------------|--------------|
| Maximum profiling range: | 30m | 70m |
| Beam width: | 2.9° | 2.9° |
| Cell size: | 0.2 - 2m | 0.5 - 4m |
| Number of beams: | 5 | 5 |

The Nortek Signature Series sensor is a high-performance acoustic doppler current profiler (ADCPs) used for measuring wave current velocity (via multiple cells), current direction, water temperature, and pressure. The Nortek Signature Series Current Profiler integrates with the Obscape PTM data logger for real-time current velocity measurements.

Signature1000

High-performance mean currents and turbulence, wave height and direction

The Signature1000 ADCP is the optimal tool for turbulence measurements. With a maximum sampling frequency of 16 Hz, it gives the scientific community an unprecedented opportunity to study a part of the turbulence spectrum that has never been accessible before. Vertical resolution current profiles of 2 cm over a range of up to 8 m further increase the Signature1000's versatility, as does its ability to measure wave height and direction. The centre beam also functions as a biological echosounder, enabling high-resolution measurements of biomass in the water column.

Signature500

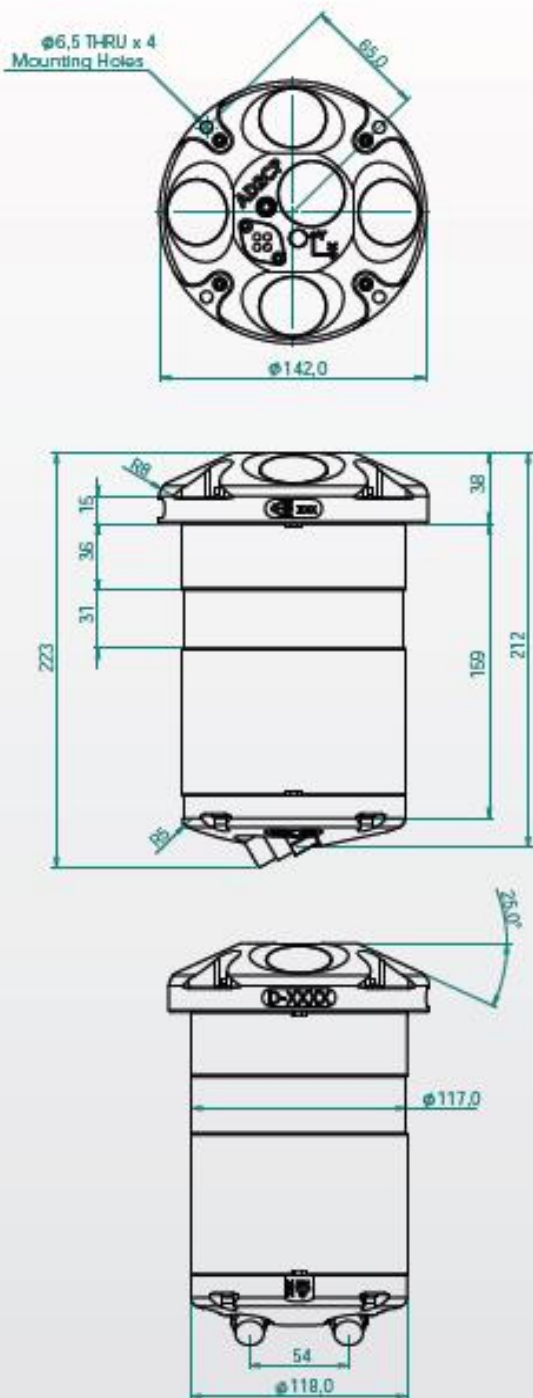
Mean currents and turbulence, plus wave height, direction and acoustic ranging to ice

The Signature500 ADCP is designed for flexibility. It measures current profiles at up to 8 Hz sampling frequency. It can also measure direct vertical velocity profiles, wave height and direction, and ice thickness and drift. The centre beam also functions as a biological echosounder, enabling high-resolution measurements of biomass in the water column. All these features can be combined using Nortek's patented concurrent mode technology.

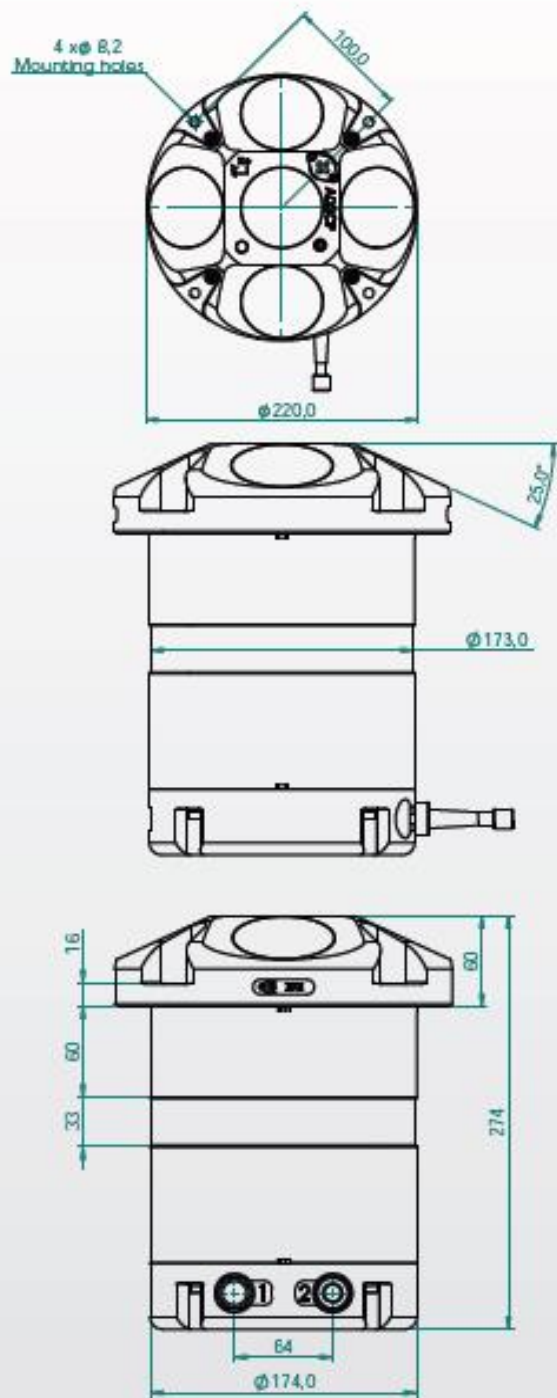
Applications

The Signature Series is very flexible, making it a great tool for investigating many different aspects of ocean movement. The Signature Series instruments can operate with low output power and high velocity precision modes to significantly extend battery life, making it ideal for buoy mounted offshore applications.

Signature 1000



Signature500



All dimensions in mm.

Kindly note: Purchase of ADCP station does not include **Signature Profiler**. For local service and back-up, Obscape advises you to purchase the **Signature Profiler** from your local Nortek offices of the area/country of deployment. Please contact your Obscape representative for more details and assistance.